

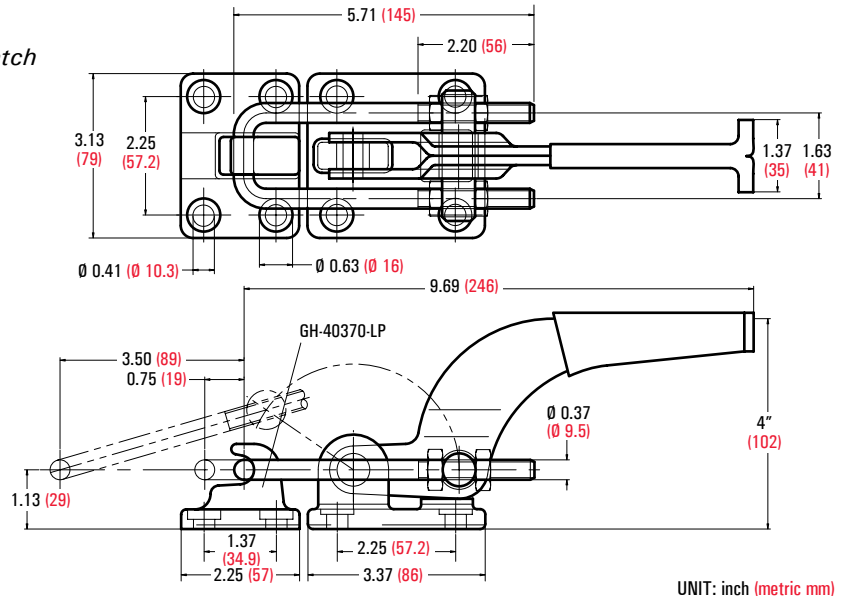
40370

- Holding Capacity: 4,000 lbs. (1,818 kg)
- Weight: 2.78 lbs. (1.26 kg)

Both the alloy steel base and the **optional** latch plate are forged for strength and durability.



GH-40370-LP (Sold Separately) **GH-40370**



UNIT: inch (metric mm)

NEW
40370-R

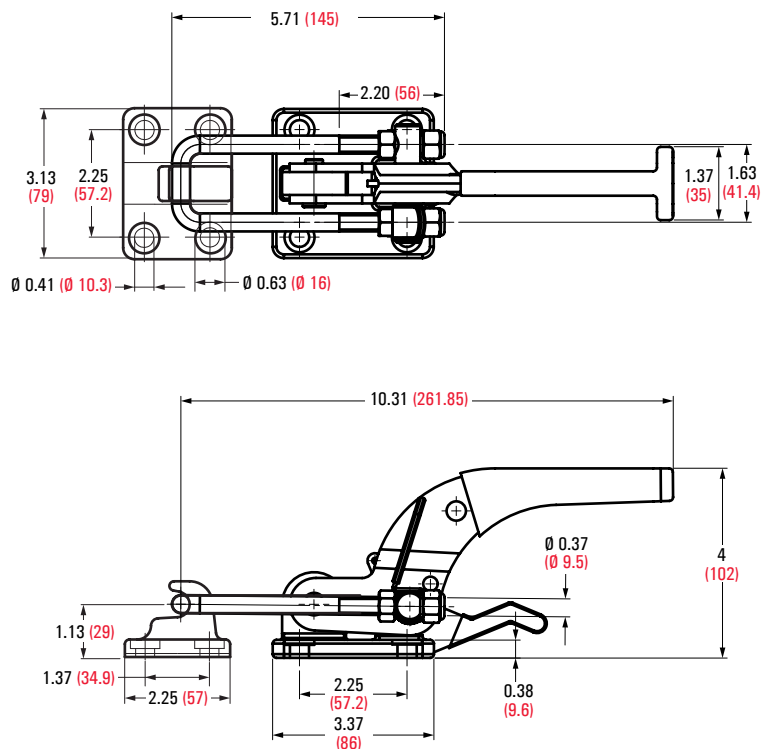
NEW! SECURE-LOCK MODELS!

This new model features a locking lever to securely lock the clamp in the closed position. Ideal for latching applications on molds, doors, lids, and access covers.

- Holding Capacity: 4,000 lbs. (1,818 kg)
- Weight: 3.1 lbs. (1.41 kg)



GH-40370-LP (Sold Separately) **GH-40370-R**



UNIT: inch (metric mm)