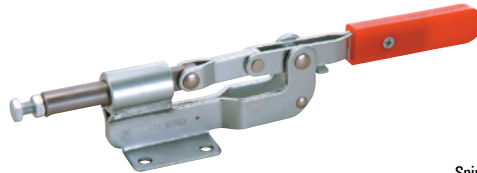


UNIQUE

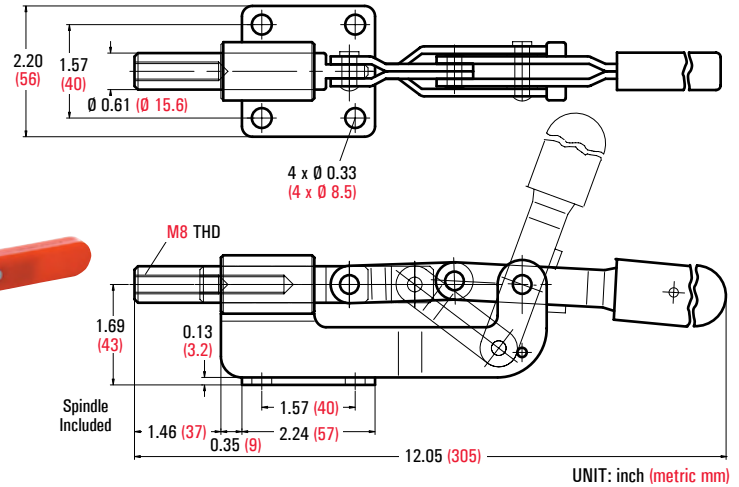
36060 REVERSE ACTION

- Holding Capacity: 660 lbs. (300 kg)
- Weight: 1.36 lbs. (615 g)
- Handle opens: 76°
- Plunger stroke: 1.10" (28 mm)
- Spindle supplied
- Accepts all M8 diameter spindles

Plunger locks in extended position only.

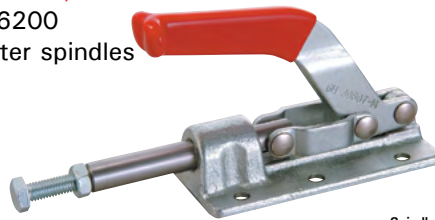


GH-36060

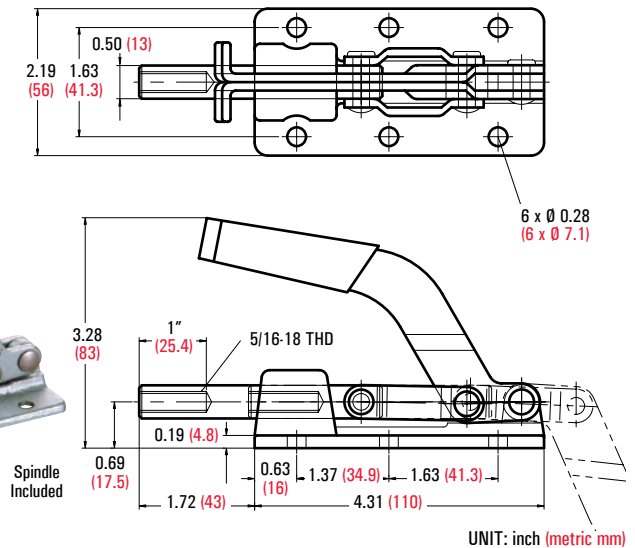


30607 LOW PROFILE

- Holding Capacity: 700 lbs. (318 kg)
- Weight: 1.54 lbs. (700 g)
- Handle opens: 180°
- Plunger stroke: 1.63" (41.3 mm)
- Spindle supplied: GH-SA-56200
- Accepts all 5/16-18 diameter spindles



GH-30607



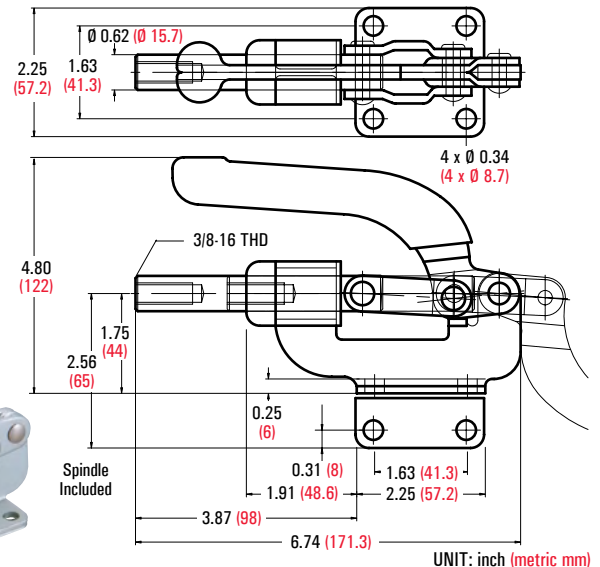
36010 & 36012

- Holding Capacity: 800 lbs. (364 kg)
- Weight: 1.76 lbs. (800 g)
- Handle opens: 180°
- Plunger stroke: 1.63" (41.3 mm)
- Spindle supplied: GH-SA-38300
- Accepts all 3/8-16 diameter spindles

Constructed with heavy gage sheet metal, this is an economical long stroke push-pull clamp.



GH-36010



Model	Description
GH-36010	Flanged Base
GH-36012	Straight Base