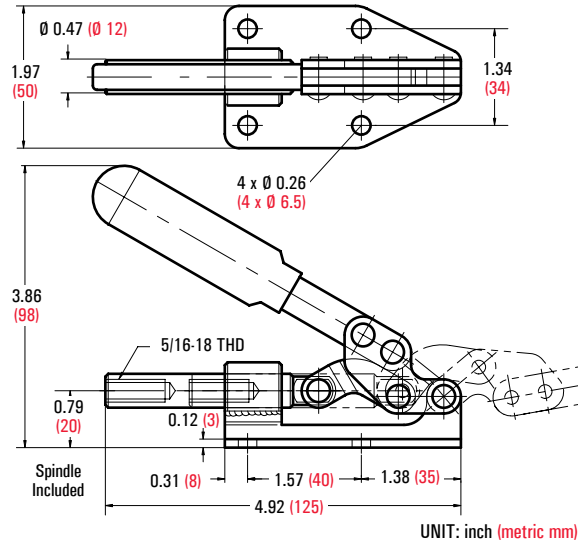


## 36020

- Holding Capacity: 400 lbs. (180 kg)
- Weight: 0.76 lb. (345 g)
- Handle opens: 145°
- Plunger stroke: 1.18" (30 mm)
- Spindle supplied: GH-SA-56200
- Accepts all 5/16-18 diameter spindles



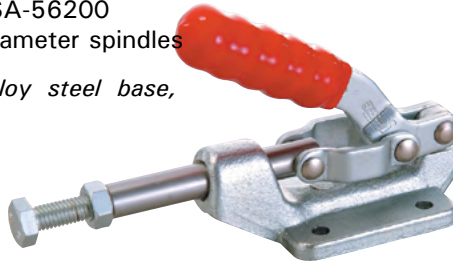
GH-36020



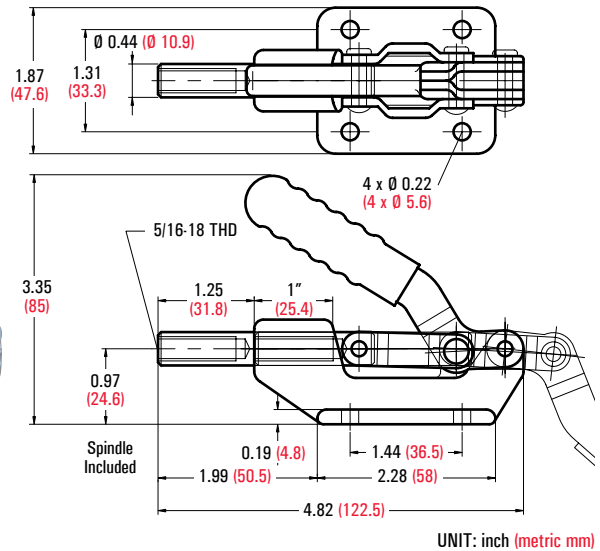
## 36003

- Holding Capacity: 600 lbs. (272 kg)
- Weight: 0.78 lb. (355 g)
- Handle opens: 180°
- Plunger stroke: 1.25" (31.8 mm)
- Spindle supplied: GH-SA-56200
- Accepts all 5/16-18 diameter spindles

*This clamp has a forged alloy steel base, and lower profile handle.*



GH-36003



**UNIQUE**

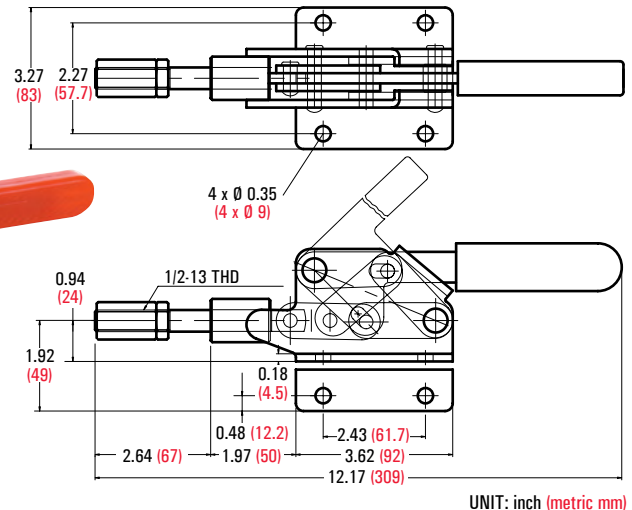
## 30290 & 30292 REVERSE ACTION

- Holding Capacity: 650 lbs. (295 kg)
- Weight: 2.80 lbs. (1,270 g)
- Handle opens: 45°
- Plunger stroke: 0.91" (23 mm)

*Plunger locks in extended position only.*



GH-30290



Model	Description
GH-30290	Flanged Base
GH-30292	Straight Base