

## 301-A & 301-B

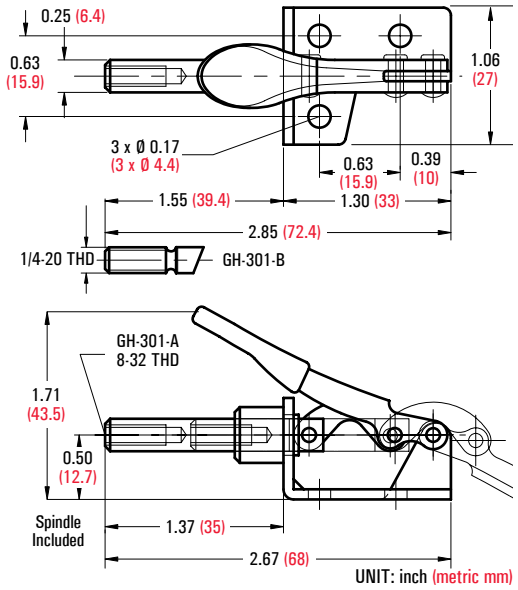
- Holding Capacity: 100 lbs. (45 kg)
- Weight: 0.11 lb. (50 g)
- Handle opens: 190°
- Plunger stroke: 0.63" (15.9 mm)
- Spindle supplied: GH-SA-08034 (Nylon)

*Economical, miniature push-pull clamp with long plunger stroke.*



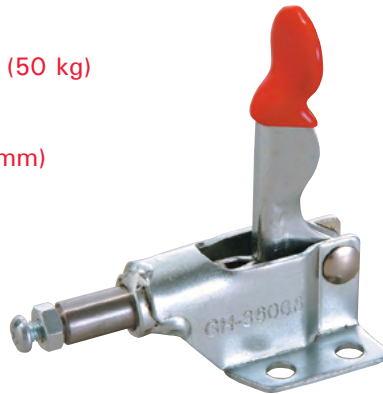
GH-301-A

Model	Description
GH-301-A	8-32 Thread
GH-301-B	1/4-20 Thread

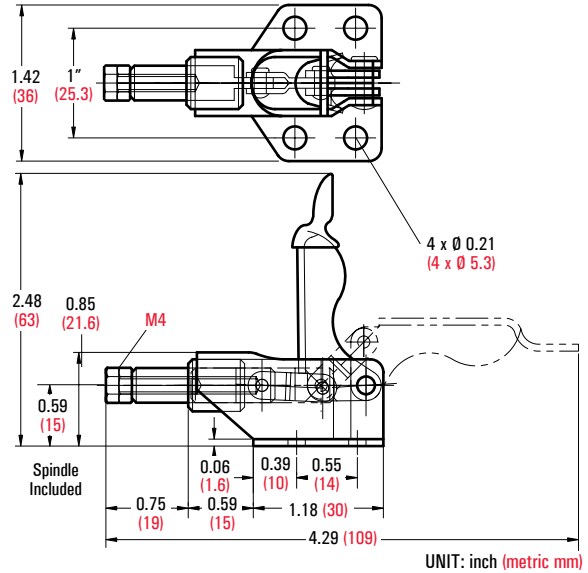


## 36006

- Holding Capacity: 110 lbs. (50 kg)
- Weight: 0.15 lb. (70 g)
- Handle opens: 93°
- Plunger stroke: 0.43" (11 mm)
- Spindle supplied



GH-36006



**UNIQUE**

## 36070 REVERSE ACTION

- Holding Capacity: 110 lbs. (50 kg)
- Weight: 0.22 lb. (100 g)
- Handle opens: 66°
- Plunger stroke: 0.39" (10 mm)
- Spindle supplied



GH-36070

