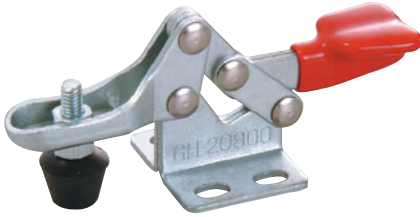


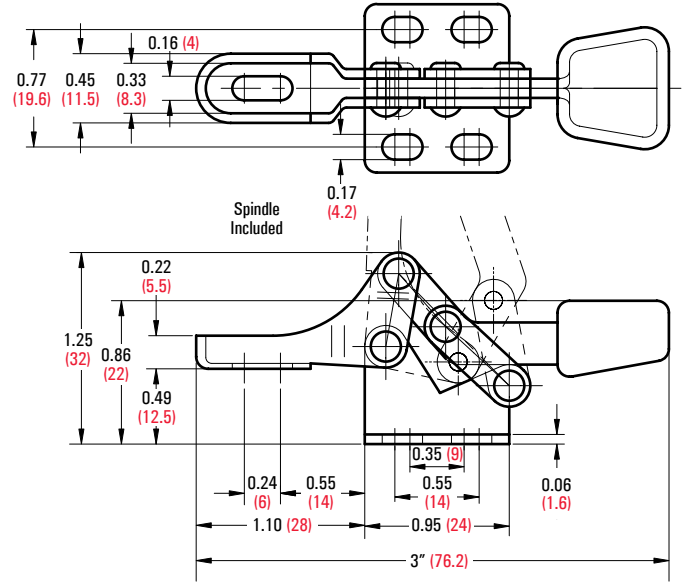
20800 & 20800-SS

- Holding Capacity: 66 lbs. (30 kg)
- Weight: 0.09 lb. (40 g)
- Bar opens: 80°, Handle 88°
- Spindle Supplied



GH-20800

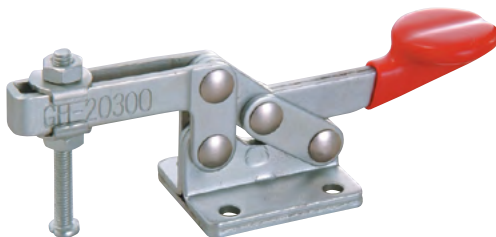
Model	Description
GH-20800	Flanged Base
GH-20800-SS	Stainless Steel Model of GH-20800



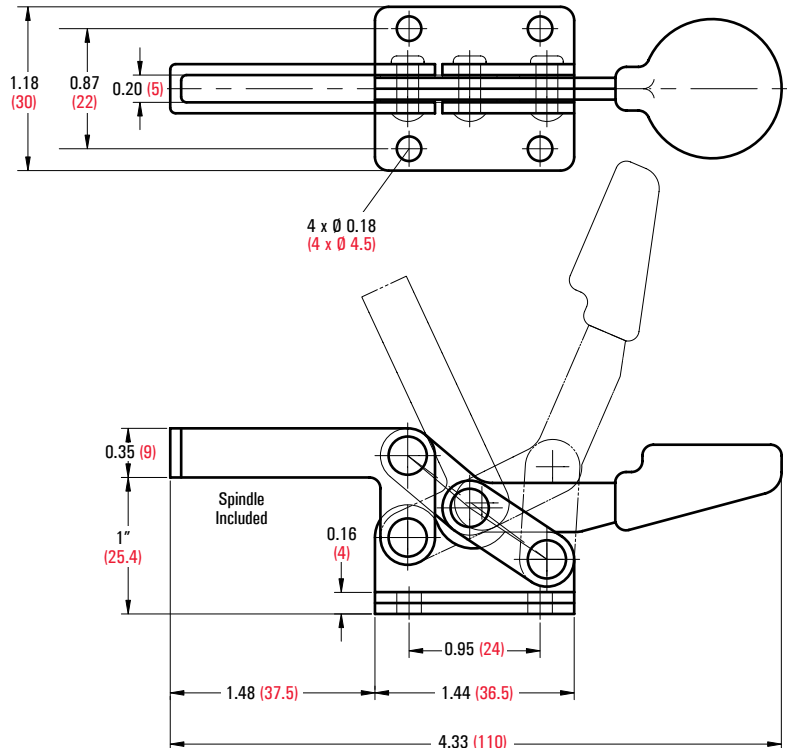
UNIT: inch (metric mm)

20300

- Holding Capacity: 66 lbs. (30 kg)
- Weight: 0.22 lb. (100 g)
- Bar opens: 65°, Handle 55°
- Spindle Supplied



GH-20300



UNIT: inch (metric mm)