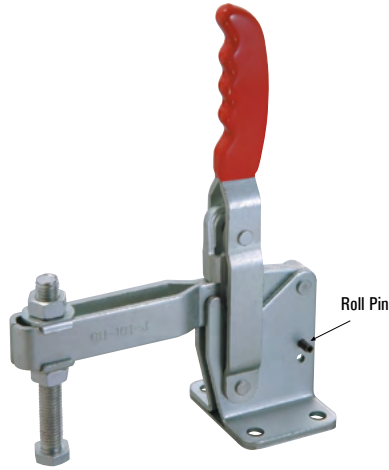


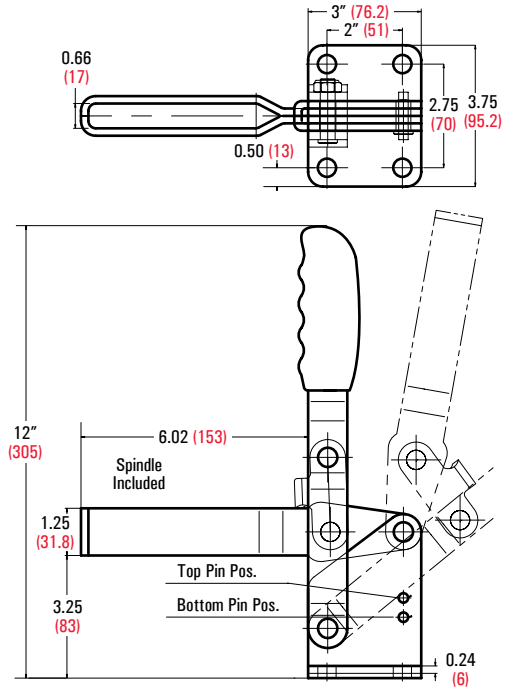
## Series 101-J

- Holding Capacity: 1,200 lbs. (550 kg)
- Weight: 5.6 lbs. (2,540 g)
- Bar opens 100°, Handle 48° (with roll pin on top)
- Bar opens 140°, Handle 60° (with roll pin on bottom)
- Spindle Supplied: GH-SA-58500
- **Hardened bushings and removable ground pins**



**GH-101-J**

Model	Description
GH-101-J	U-Bar, Flanged Base
GH-101-JS	Solid Bar, Flanged Base



UNIT: inch (metric mm)