

## Series 10444 *Welder's Choice!*

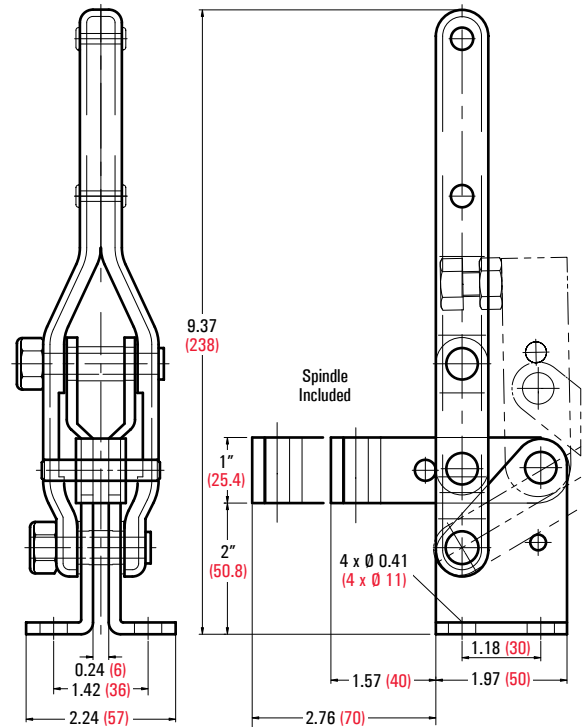
- Holding Capacity: 880 lbs. (400 kg)
- Bar opens: 85°, Handle 58°
- Spindle Supplied: GH-SA-38300 (GH-SA-38200 for GH-10448)
- **Hardened bushings and removable ground pins**

*This rugged yet smooth functioning clamp is designed for use in ovens. It has a rounded handle with no plastic cover.*



GH-10448

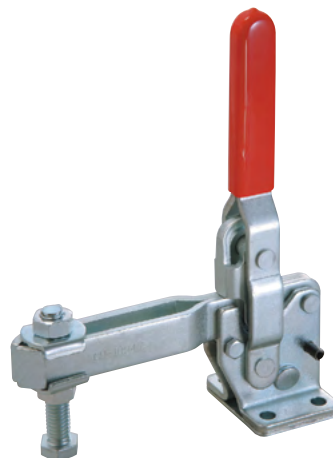
Model	Description	Weight
GH-10444	Long Bar	1.92 lbs. (870 g)
GH-10448	Short Bar	1.85 lbs. (840 g)



UNIT: inch (metric mm)

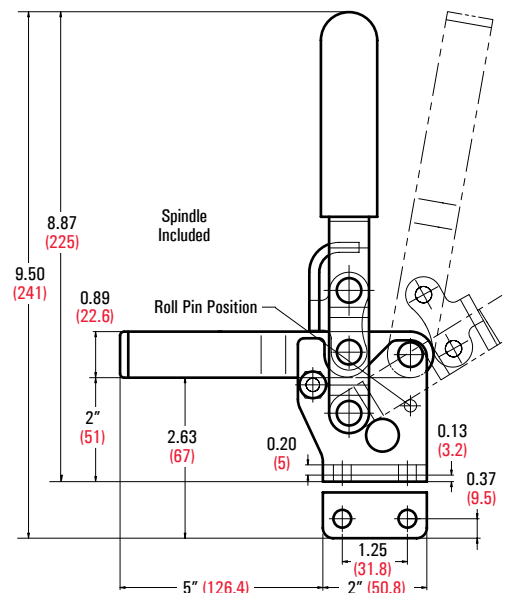
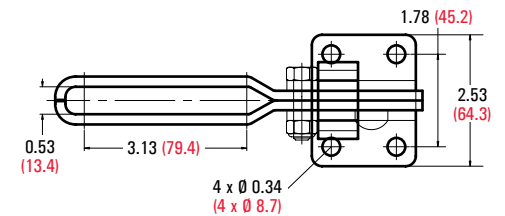
## Series 10247

- Holding Capacity: 1,000 lbs. (450 kg)
- Weight: 2.76 lbs. (1,250 g)
- Bar opens 100°, Handle 58° (with roll pin)
- Bar opens 135°, Handle 70° (without roll pin)
- Spindle Supplied: GH-SA-12300
- **Hardened bushings and removable ground pins**



GH-10247

Model	Description
GH-10247	U-Bar, Flanged Base
GH-10248	U-Bar, Straight Base
GH-10249	Solid Bar, Flanged Base
GH-10250	Solid Bar, Straight Base



UNIT: inch (metric mm)