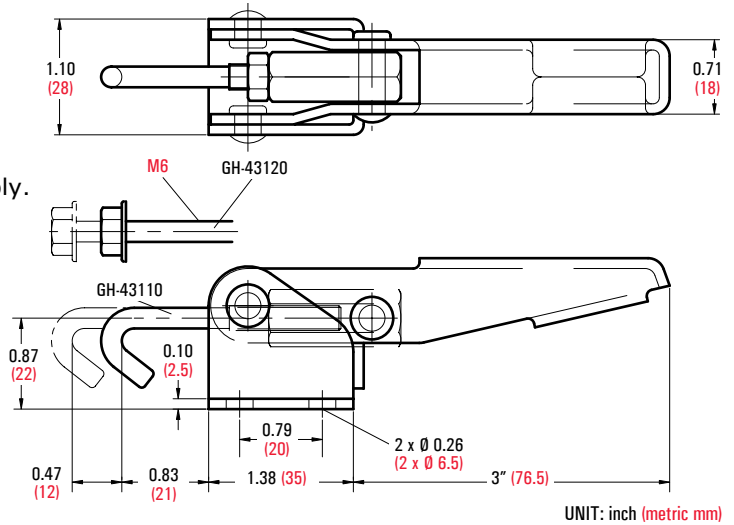
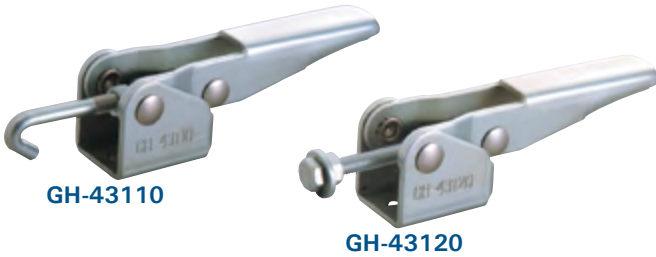


43110 & 43120

- Holding Capacity: 375 lbs. (170 kg)
- Weight: 0.40 lb. (180 g)
- GH-43110 supplied with M6 hook bolt
- GH-43120 supplied with hex head spindle assembly.



43150 & 43160

- Holding Capacity: 660 lbs. (300 kg)
- Weight: 0.85 lb. (385 g)
- GH-43150 supplied with M10 hook bolt
- GH-43160 supplied with hex head spindle assembly.

