

Series 204-GB

- Holding Capacity: 1,400 lbs. (630 kg)
- Bar opens: 91°, Handle 94°
- Spindle Supplied: GH-SA-12300

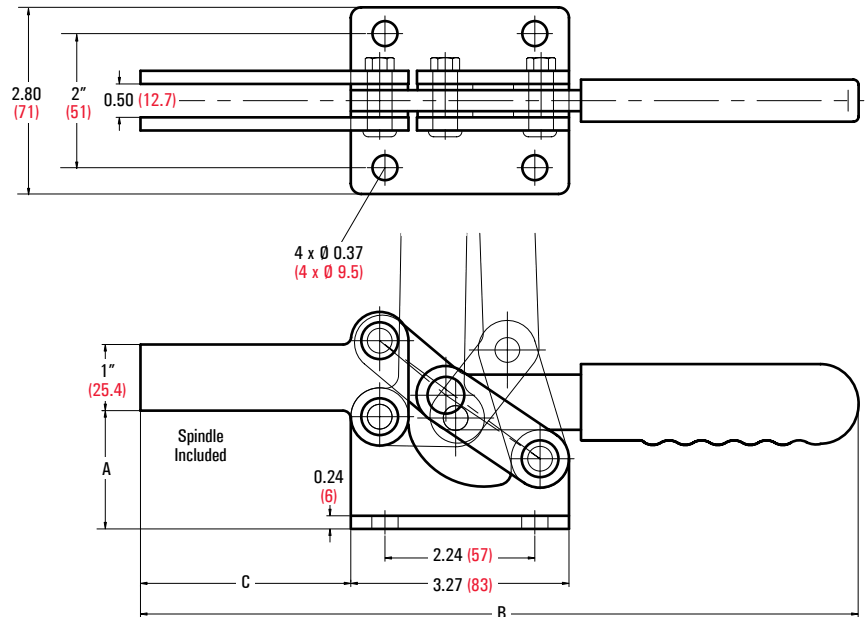
This clamp is based on the GH-204-G design, without the cast iron base.



GH-204-GB



GH-204-GBLH



UNIT: inch (metric mm)

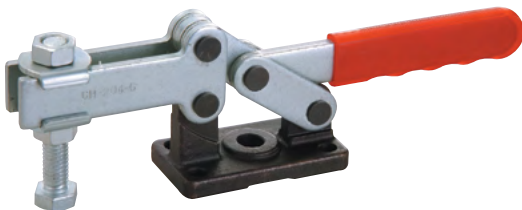
Model	Description	A	B	C	Weight
GH-204-GB	Short Bar, Low Base	1.77 (45)	10.59 (269)	3.15 (80)	2.60 lbs. (1,180 g)
GH-204-GBL	Long Bar, Low Base	1.77 (45)	12.44 (316)	5" (127)	2.78 lbs. (1,260 g)
GH-204-GBLH	Long Bar, High Base	2.79 (71)	12.44 (316)	5" (127)	3.23 lbs. (1,465 g)

Series 204-G

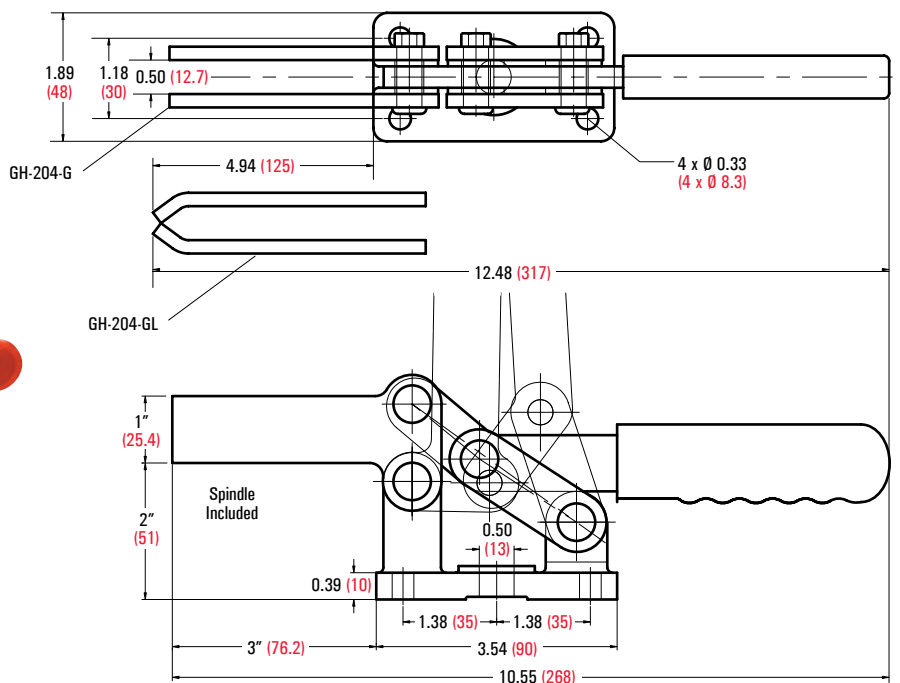
- Holding Capacity: 1,400 lbs. (636 kg)
- Weight: 2.69 lbs. (1,220 g)
- Bar opens: 91°, Handle 94°
- Spindle Supplied: GH-SA-12300

Heavy Duty Model

This clamp has five mounting holes on the cast iron base. Constructed with extra thick plate stock with hardened ground pins and bushings for smooth action and long life.



GH-204-G



UNIT: inch (metric mm)

Model	Description
GH-204-G	Open Bar, Ductile Iron Base
GH-204-GL	Long Closed Bar, Ductile Iron Base