

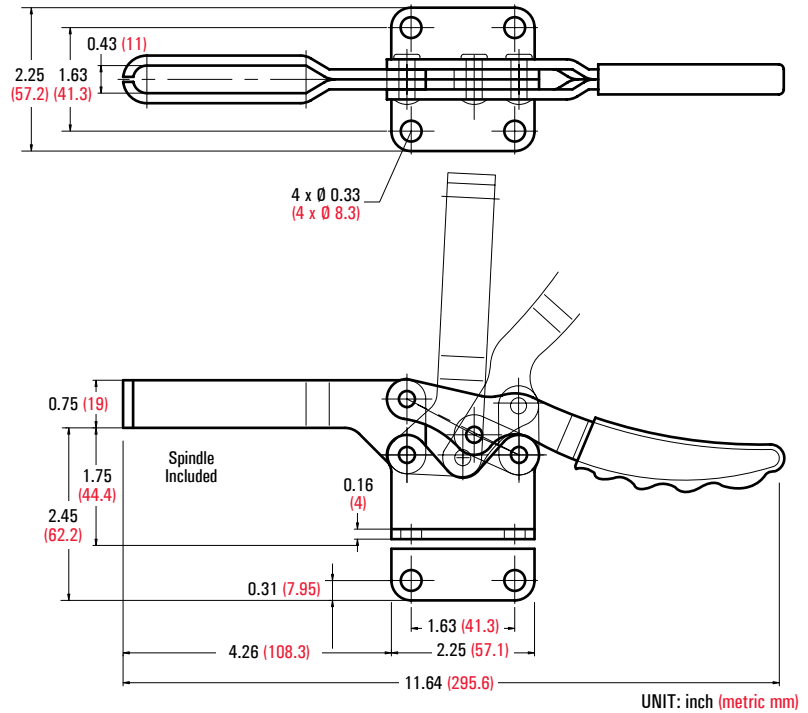
## Series 20235

- Holding Capacity: 750 lbs. (340 kg)
- Weight: 1.41 lbs. (640 g)
- Bar opens: 85°, Handle 50°
- Spindle Supplied: GH-FC-38312



GH-20235

Model	Description
GH-20235	U-Bar, Flanged Base
GH-20235-SS	Stainless Steel Model of GH-20235
GH-20236	U-Bar, Straight Base



## Series 200-W

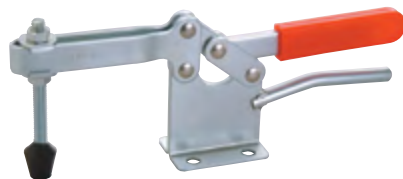
- Holding Capacity: 880 lbs. (400 kg)
- Bar opens: 84°, Handle 85°

### Woodworking models

These clamps have an extra high and long spindle bar. The 220-WH and 220-WLH have an extra lever to increase clamping leverage.



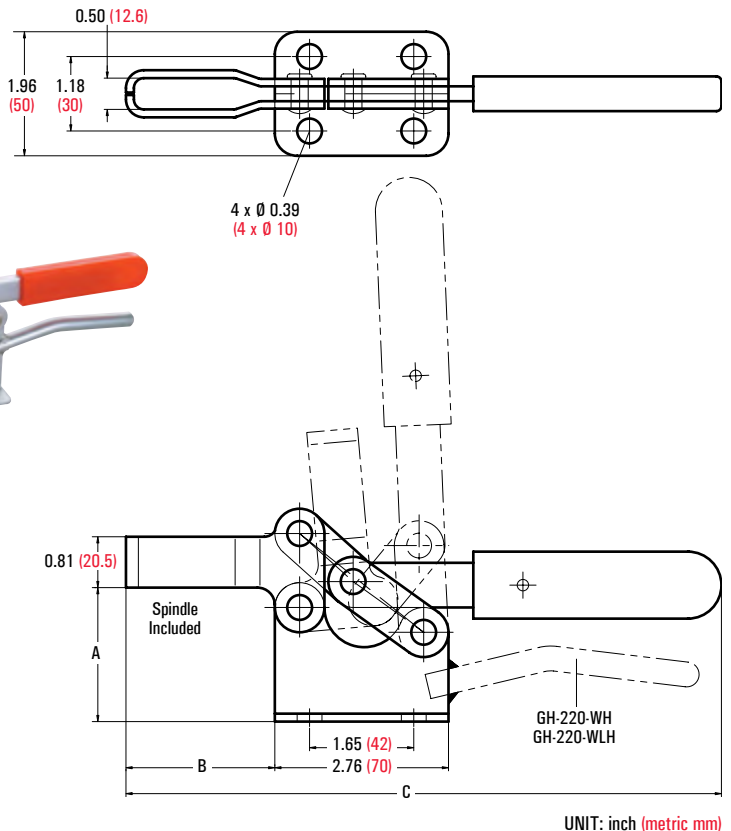
GH-200-W



GH-200-WLH

Model	Spindle	A	B	C	Weight
GH-200-W	GH-FC-38312	2.13 (54)	2.36 (60)	9.45 (240)	1.32 lbs. (600 g)
GH-200-WL			4.33 (110)	11.42 (290)	1.41 lbs. (640 g)
GH-200-WH	GH-FC-38412	3.11 (79)	2.36 (60)	9.45 (240)	1.54 lbs. (700 g)
GH-200-WLH			4.33 (110)	11.42 (290)	1.64 lbs. (745 g)
GH-220-WH			2.36 (60)	9.45 (240)	1.74 lbs. (790 g)
GH-220-WLH			4.33 (110)	11.42 (290)	1.83 lbs. (830 g)

UNIT: inch (metric mm)



UNIT: inch (metric mm)