

## Series 225-D *Popular!*

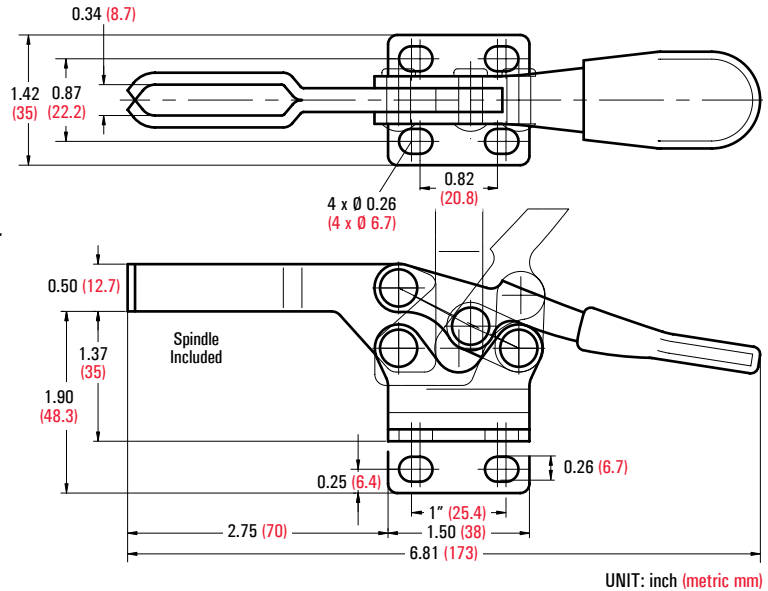
- Cross Ref.: DE-STA-CO Series 225
- Holding Capacity: 500 lbs. (227 kg)
- Weight: 0.59 lb. (265 g)
- Bar opens: 90°, Handle 65°
- Spindle Supplied: GH-FC-56212

*This is the most popular horizontal handle toggle clamp. See Series GH-22165 for extra long U-Bars.*



**GH-225-D**

Model	Description
GH-225-D	U-Bar, Flanged Base
GH-225-DSS	Stainless Steel Model of GH-225-D
GH-225-DI	U-Bar, Straight Base



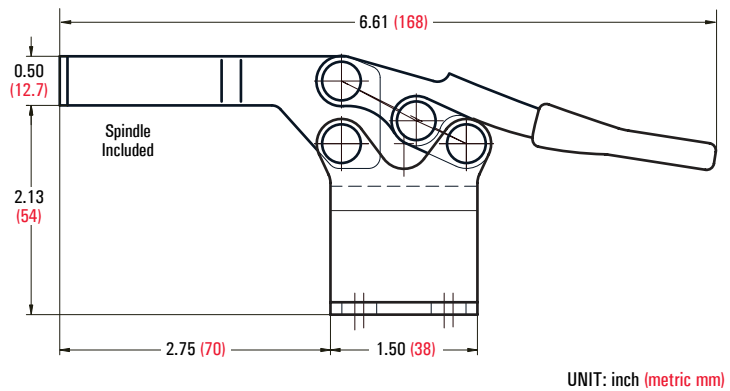
**UNIQUE**

## 225-DHB

- High Base Model of GH-201-B
- Weight: 0.63 lb. (286 g)



**GH-225-DHB**



**UNIQUE**

## 225-DSM

- Side Mount Model of GH-201-B
- Weight: 0.69 lb. (315 g)



**GH-225-DSM**

